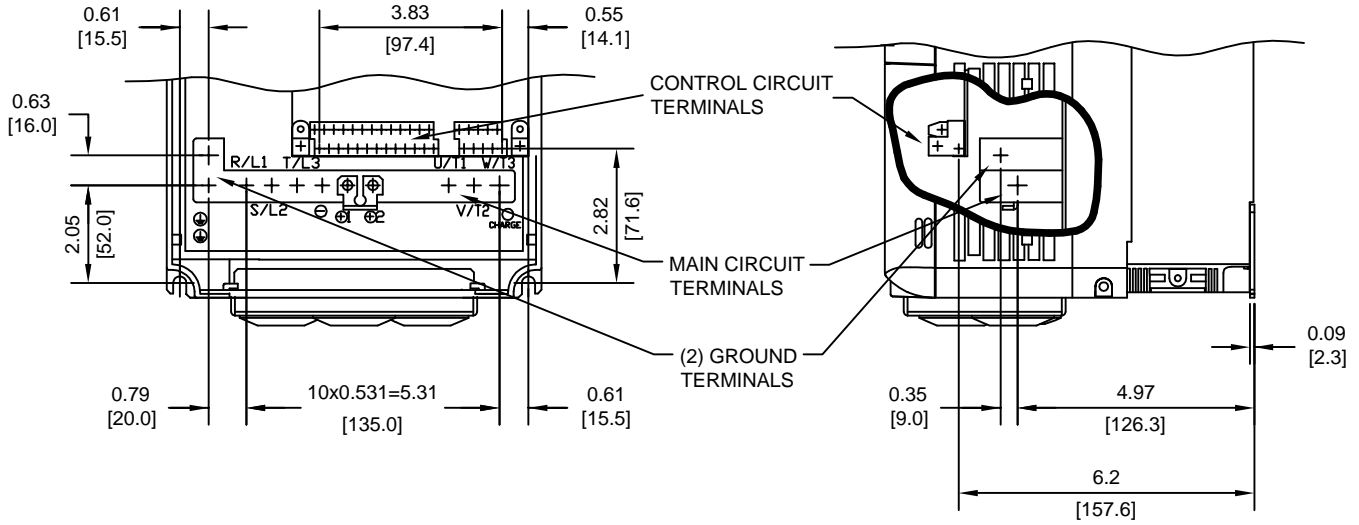


TERMINAL AND WIRING DETAILS (SCALE 1:4)



TERMINAL AND WIRE SPECIFICATIONS FOR
MAIN CIRCUIT AND GROUND

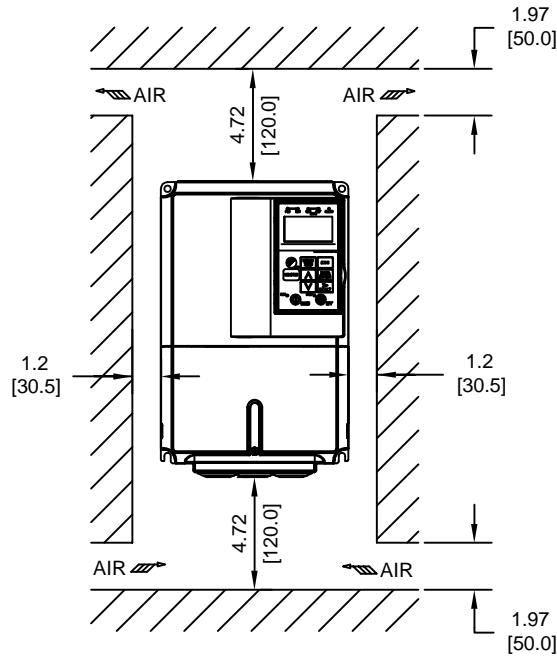
MODEL #	TERMINAL SYMBOL	TERMINAL SCREW	CLAMPING TORQUE lb.in.(N.m.)	WIRE RANGE AWG(mm ²)
CIMR-E7U				
2011	R/L1, S/L2, T/L3, ⊙, ⊕1, ⊕2, U/T1, V/T2, W/T3, ⊕	M5	20.4 TO 22.1 (2.3 TO 2.5)	10-4 (5.5-22)

NOTE: REFER TO APPLICABLE CODES FOR PROPER WIRE TYPE AND SIZE

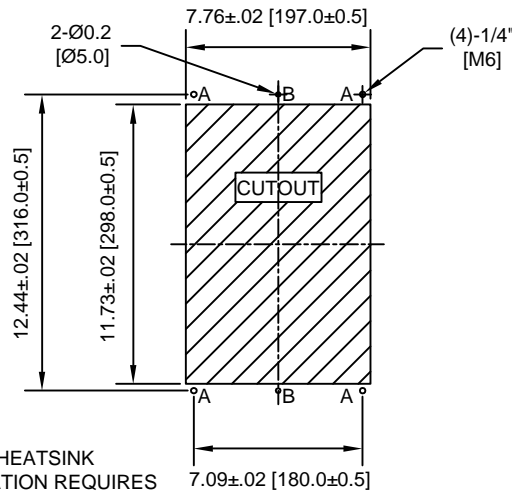
FOR ADDITIONAL DETAILS AND SPECIFICATIONS, CONSULT MANUAL

TOLERANCES/REFERENCES: -		<p>YASKAWA A World of Automation Solutions™</p> <p>YASKAWA ELECTRIC AMERICA, INC. Corporate Headquarters 2121 Norman Drive South Waukegan, IL 60085 1-800-YASKAWA http://www.yaskawa.com</p>	DRAWN: J. MATTAS DATE 4-6-05	TITLE: E7 DIMENSION DRAWING FRAME SIZE 3B NEMA TYPE 1/IP20 AND IP00 E7U2011		
UNITS: IN[mm]	SCALE: BY VIEW		CHECKED: M. RUCINSKI DATE 5-3-05	TECH: J. CAIRO DATE 4-7-05	SIZE A	REVISION R00
		APPROVED: T. SASADA DATE 6-6-05	ORIGINAL DESIGN: -	DRAWING #: DD.E7.FR3B.N1.01		

MINIMUM INSTALLATION CLEARANCES (SCALE 1:8)



PANEL CUTOUT FOR EXTERNAL HEATSINK MOUNTING CONFIGURATION (SCALE 1:8)



- NOTES:
- EXTERNAL HEATSINK CONFIGURATION REQUIRES MOUNTING KIT
 - EXPOSED HEATSINK DEPTH $D=2.58''$ MINUS PANEL THICKNESS

FOR ADDITIONAL DETAILS AND SPECIFICATIONS, CONSULT MANUAL

TOLERANCES/REFERENCES: - - - - - - - - - -		<p>YASKAWA A World of Automation Solutions™</p> <p>YASKAWA ELECTRIC AMERICA, INC. Corporate Headquarters 2121 Norman Drive South Waukegan, IL 60085 1-800-YASKAWA http://www.yaskawa.com</p>	DRAWN: J. MATTAS	DATE 4-6-05	TITLE: E7 DIMENSION DRAWING		
UNITS: IN[mm]			SCALE: BY VIEW	CHECKED: M. RUCINSKI	DATE 5-3-05	FRAME SIZE 3B NEMA TYPE 1/IP20 AND IP00 E7U2011	
			TECH: J. CAIRO	DATE 4-7-05	SIZE A	REVISION R00	PAGE 3 of 3
			APPROVED: T. SASADA	DATE 6-6-05	DRAWING #: DD.E7.FR3B.N1.01		
			ORIGINAL DESIGN: -	DATE -			